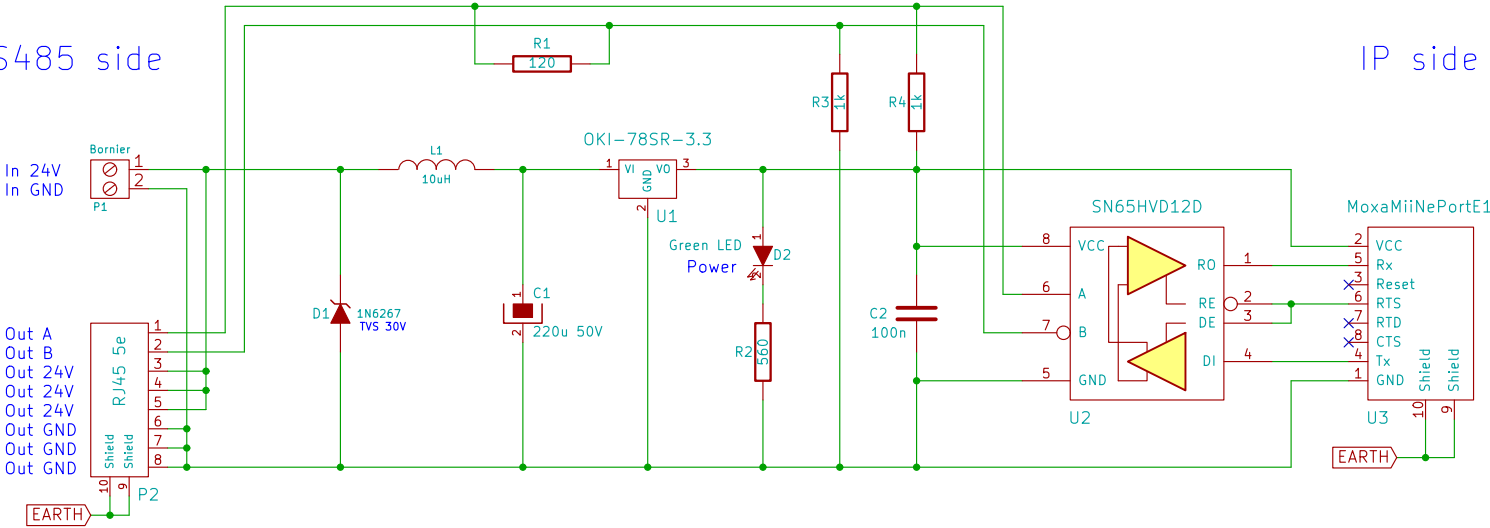


IP to FixmeBus (RS485) gateway

RS485 side

IP side



All resistors are standard 1% metal film 0603 SMD chips, otherwise indicated.

| | |
|---------------------------------------|-------------------|
| Fixme, Joël Huser, 04/14 | |
| File: PMB19b.sch | |
| Sheet: / | |
| Title: IP to FixmeBus (RS485) gateway | |
| Size: A4 | Date: 13 apr 2014 |
| KiCad E.D.A. | Rev: FBEG v1.0.2 |
| | Id: 1/1 |